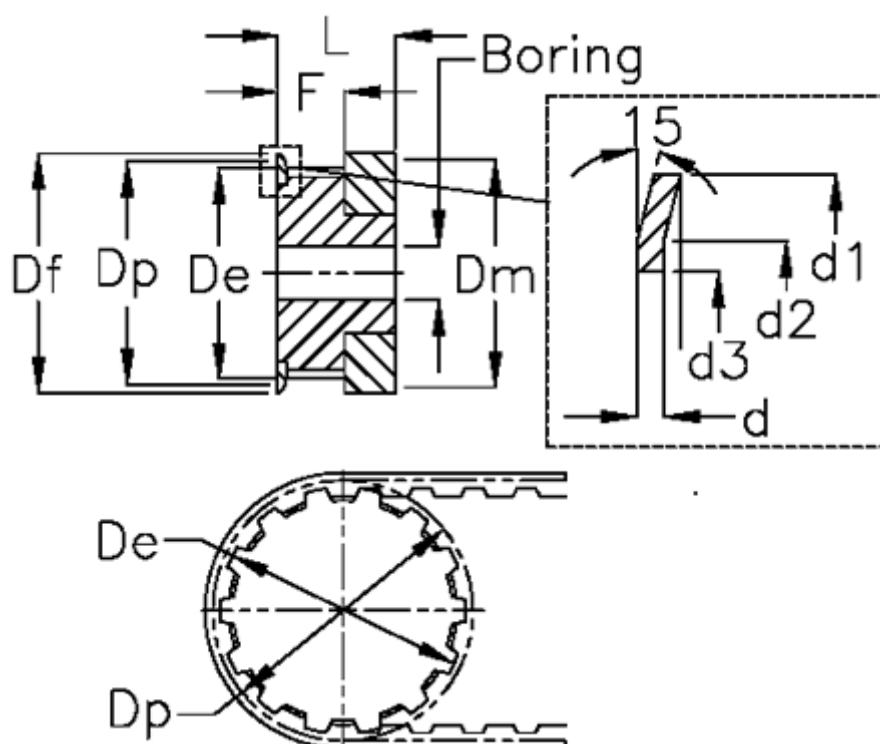


Article number: 604140015006

Description: Timing belt pulley with hub
HTD 15 3M 6

Measures



Bore = 4	Dp = 14.32
d = 0.5	F = 7.2
d1 = 17.5	Flange type = F04
d2 = 14.5	L = 14.5
d3 = 11.6	Tooth number = 15
De = 13.56	Type = 3M
Df = 17.5	Weight = -
Dm = 17.5	Width = 06